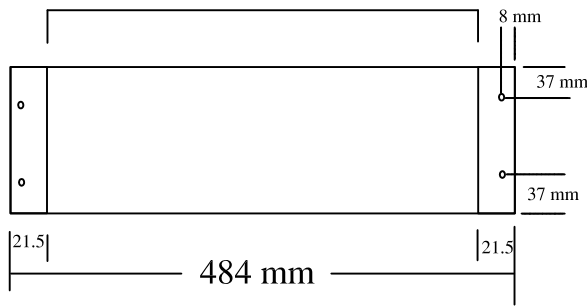
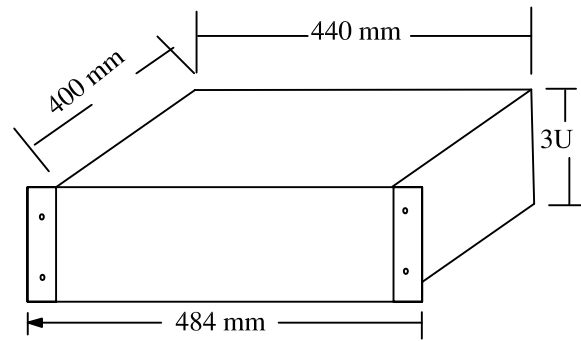


## MECHANICAL DIMENSION

### FRONT CUTOUT SIZE



### 19" RACK DIMENSION



Sertel Power Supply meets the type test for the standard of IEC 255-IV

- |  |                      |
|--|----------------------|
| 1. Electrical fast transient test as per       | IEC 61000-4-4,2001   |
| 2. Electrostatic discharge test as per         | IEC 61000-4-2, 2001  |
| 3. High energy surge test as per               | IEC 61000-4-5, 2001  |
| 4. Radiated susceptibility test as per         | IEC 61000-4-3, 2002  |
| 5. Conducted RF immunity test as per           | IEC 61000-4-6, 1996  |
| 6. 1.0MHZ damped oscillatory surge test as per | IEC 61000-4-12. 2001 |
| 7. Power Frequency magnetic field test as per  | IEC 61000-4-8, 1994  |

### OTHER RANGE OF PRODUCT

#### PROCESS CONTROL

- \* Digital process Indicator/Controler.
- \* Strip Chart/Circular Chart Recordre.
- \* Process/Power Scanner 12pt/6pt.
- \* Thermocouple RTD's/MTTC.
- \* System Integration involving AC/DC VFD Drives/ Scada PLC's,DCS.
- \* Transducers for process and power measurement.
- \* Instrument/Control Panel.

#### POWER SUPPLY

- \* SMPS- Power Supply.
- \* Regulator Supply
- \* AC/ DC 90 to 260V Supply
- \* DC to DC Supply System

#### PC synchronisation

- \* Access Control System/ Attendance Monitoring.
- \* Data transfer Machine to Machine Through GSM.

#### TIME SYNCHRONISATION

- \* Central Satellite Clocks.
- \* Satellite Based Time Synchronization System.
- \* GPS Receiver.
- \* Time Code Generator-IRIG B-Reader.
- \* Time Up/Down Counter.
- \* Hand Held GPS Receiver.
- \* Large Display & Remote Display Unit.
- \* Crystal -OCXO/VCXO/TCXO.

#### VEHICLE TRACK

- \* Automatic Vehicle Track( AVL) unit.
- \* Asset Locator and Remote Monitoring
- \* Asset Locator of Time and Position.
- \* Asset Vehicle Locator GPS/GSM/CDMA/GPRS. With Maping Solutions.
- \* Wireless-GPRS-Distance Transfer of Data PC to PC.

#### Communication

- \* Line Driver/Line Receiver
- \* RS 485/RS 232 Converter
- \* Digital Multimeter.

**Our Sister Concerns:**  
**TELEVISION&ELECTRONIC SERVICES**  
**TELSER ELECTRONICS PVT. LTD.**

Manufactured by :

**SERTEL ELECTRONICS PVT.LTD.**  
 377 , Nehru Nagar first cross Street  
 Old Mahabalipuram Road, Perungudi,Chennai-600096.  
 Tel: 91-44-23454060/4062. Fax :91-44-23454061  
 Email: telsel@md4.vsnl.net.in  
 Web: www.telsel.net

Authorised Dealer