

# T-AA-300

## PROGRAMMABLE ALARM ANNUNCIATOR

T-AA-300 Series annunciation units can be manufactured in varying sizes required for respective application. It can serve from 8 to 1000 channels. Card Extensions are provided for easy increase in channels by creating daisy-chain network. T-AA-300 has been built to suit rugged conditions with thought free provisions for easy troubleshooting and maintenance.

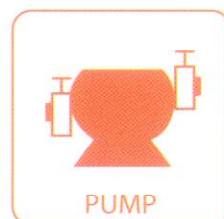


### SALIENT FEATURES

- Highly customizable configurations.
- Optically isolated fault inputs.
- Facias with super bright LED's.
- User Selectable Fault contact configurations.
- Modern aesthetic design.
- ISA-18.1 annunciation sequences: A, M, R, F1A, R-12-User Selectable.
- Ruggedised to meet industrial, utility Standards.
- Serial ports, TCP/IP outputs available for communication with other devices.
- Front Panel configuration access provided.
- RS485 / IRIG-B input with 1 ms SER time-stamping for Event Recording.
- Programmable PC Software interface provided optional.
- Spare Windows Provided for Emergency Situations.
- Split type, field/panel Separate Instrument.
- 1-4000 points.
- External Time Synchronisation Rs.232/- IRIGB.
- External GPS time Synchronization.
- SoE Testing-optional.
- Fast Response

### TEST AND STANDARDS

- |   |                          |
|---|--------------------------|
| 1. Electrostatic Discharge Immunity             | : IEC 61000-4-2:2001     |
| 2. Radiated Susceptibility                      | : IEC 61000-4-3, 1997    |
| 3. Conducted RF Immunity                        | : IEC 61000-4-6: 1996-03 |
| 4. Damped Oscillatory Sinusoidal Immunity Tests | : IEC 61000-4-12-2001    |
| 5. Electrical Fast Transient Test               | : IEC 61000-4-4, 1995    |
| 6. High Energy Surge Test                       | : IEC 61000-4-5, 1995    |
| 7. 1.0 MHz Damped Oscillatory Surge Test        | : IEC 255-4,1976         |
| 8. Dry Heat Test                                | : IEC 68-2-2             |
| 9. Damp Heat Steady State Test Temperature      | : 55°C RH-95%            |
| 10. Sinusoidal Vibration Test                   | : IEC 68-2-6             |
| 11. Dust / Water                                | : IP 55                  |



# T-AA-300

## SPECIFICATION

### WINDOW

Window Dimension : 48 x 72 mm  
 Type : While Acrylic Flat Lens.  
 Colours : Default (Or) Optional (Or)  
 T-AA-xxx-xx-x-D : Red, Amber.  
 T-AA-300-xx-x-O : As per customer requirement.  
 Window Flash : Fast: 15 Hz (0.4s on, 0.4s off)  
 Slow: 0.1 Hz (1.1 s on, 1.1 s off)  
 Intermediate: (0.4s on, 1.8s off)

ALARM SEQUENCES : ISA-18.1  
 annunciation sequences : A, M, R, F1A,  
 R-12- User Selectable.

TYPE OF MOUNTING : Panel Mounting

### AUXILIARY POWER INPUT

Fuse protected.  
 T-AA-300-xx-A-X : 18-36 V AC / DC  
 T-AA-300-xx-B-X : 90-240 V AC / DC  
 Power Consumption : 600mw per Window

### CONTACT INPUTS

Opto-isolated inputs  
 T-AA-300-xx-A-X : 12 V DC Optional As per customer requirement  
 T-AA-300-xx-B-X : 24 V DC Default  
 Input Current : 1mA (typical)

### RELAY OUTPUTS

Repeat Relays : Potential free for each alarm point.  
 : 5 A at 250 V AC, 3 A at 30 V DC. Resistive load.  
 ALARM, RBACK : 5 A at 250 V AC, 5 A at 30 V DC. Resistive load.

### TERMINALS

Wire size : 28-14 AWG. (0.08mm<sup>2</sup> to 2.5mm<sup>2</sup>)  
 Removable terminal block

### ENVIRONMENT

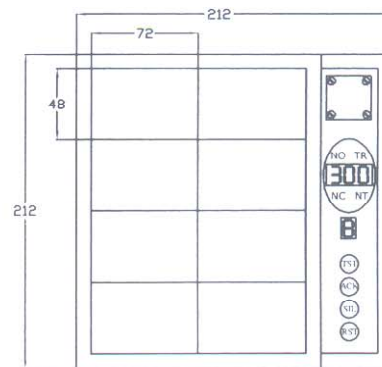
Operating temperature : -20 to 80°C  
 Storage temperature : -20 to 80°C  
 Humidity : -0 – 95% RH, non condensing

### Ordering Information :

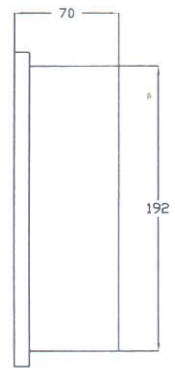
#### T-AA-300

No of channels : To SPECIFY  
 Power supply :  A 18-36V DC only,  B 90-240V DC/AC  
 Repeat output :  0 no repeat o/p,  1 repeat o/p  
 Led Module :  D Red & Amber,  
 O Optional as per customer Req.

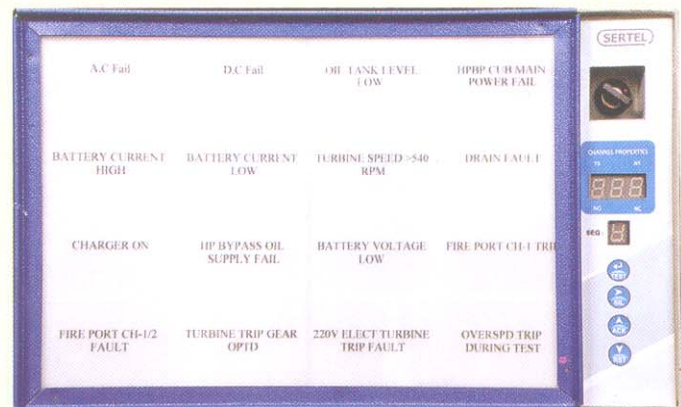
as per request



T-AA-300-Front



T-AA-300-Side



Model : T-AA-300-16-x-x-x

Model No.	Width		Height		Depth	
	Cutout	Overall	Cutout	Overall	Cutout	Overall
T-AA-300-08-x-x-x	192	212	192	212	60	70
T-AA-300-16-x-x-x	336	356	192	212	60	70
T-AA-300-24-x-x-x	480	500	192	212	60	70
T-AA-300-32-x-x-x	624	644	192	212	60	70

## SERTEL ELECTRONICS

Birmingham, United Kingdom.

Mob : +44 (0) 7794406366  
 : +44 (0) 7546380063

E-mail : enquiryuk@serteltelser.com

Web : www.serteltelser.com, www.telser.net,  
 www.timesynchronization.net

Manufactured by:

## SERTEL ELECTRONICS PVT LTD

No.377, 1st Cross Street, Nehru Nagar, Old Mahabalipuram Road,  
 Perungudi, Chennai – 600 096, Tamil Nadu, INDIA.

Tel: 091-44-2345 4060 / 4062 Fax: 091-44-2345 4061

E-mail : info@serteltelser.com / telser@md4.vsnl.net.in

Website : www.serteltelser.com / www.telser.net

Domain : www.timesynchronization.com